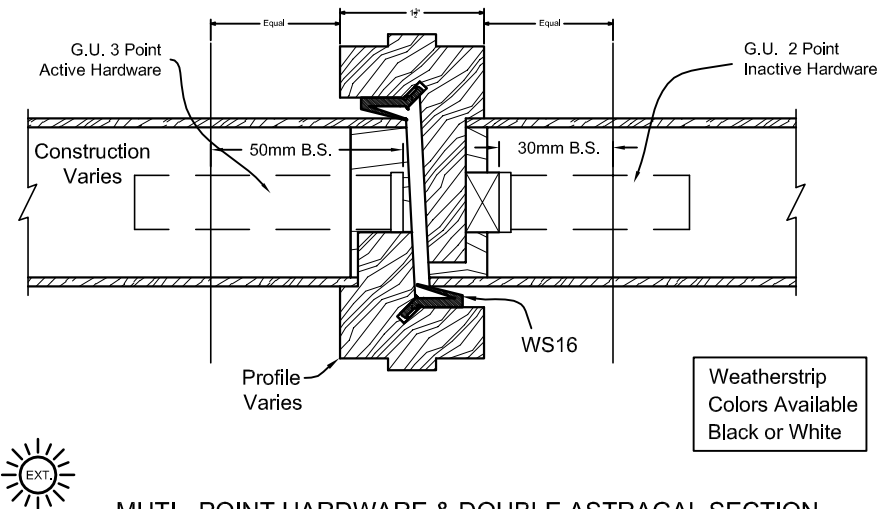


TYP. ASTRAGAL PROFILES SECTION
EXTERIOR PAIR OF DOORS



MUTI - POINT HARDWARE & DOUBLE ASTRAGAL SECTION
1 3/4" EXT. OUTSWING (LHR Active Shown)

Weatherstrip
Colors Available
Black or White

Weatherstrip
Colors Available
Black or White



LIBERTY VALLEY DOORS
INCORPORATED
P.O. BOX 176, COTATI, CA 94931
TEL. (707) 795-8040
FAX (707) 795-9258



Exterior Door Prehang Details
Stock Astragal Profiles & Muti-Point Double Astragal

Date:03/20/13
Revisions
△
△

Scale: Half
Drawn By:
SD

Ext
Pg9